

## Technical data model Yalelift 360 ATEX BASIC II 3 GD c IIB T4 / II 2 GD c IIA T4

Model	EAN-No. 4025092*	Capacity in kg/ number of chain falls	Chain dimensions d x p mm	Load chain grade	Lift per 1 m hand chain overhaul mm	Handle pull at WLL daN	Weight at standard lift (3 m) kg
YL ATEX 500	*194969	500/1	5x15	T	33	21	9
YL ATEX 1000	*198196	1000/1	6x18	T	20	30	13
YL ATEX 2000	*199872	2000/1	8x24	T	14	32	20
YL ATEX 3000	*210522	3000/1	10x30	T	12	38	29
YL ATEX 5000	*218672	5000/2	10x30	T	6	34	38
YL ATEX 10000	*224611	10000/3	10x30	V	4	44	71
YL ATEX 20000	*225625	20000/6	10x30	V	2	2x44	196

## Technical data model Yalelift 360 ATEX MEDIUM II 2 GD c IIB T4

Model	EAN-No. 4025092*	Capacity in kg/ number of chain falls	Chain dimensions d x p mm	Load chain grade	Lift per 1 m hand chain overhaul mm	Handle pull at WLL daN	Weight at standard lift (3 m) kg
YL ATEX 500	*206365	500/1	5x15	T	33	21	9
YL ATEX 1000	*206419	1000/1	6x18	T	20	30	13
YL ATEX 2000	*206426	2000/1	8x24	T	14	32	20
YL ATEX 3000	*206440	3000/1	10x30	T	12	38	29
YL ATEX 5000	*206464	5000/2	10x30	T	6	34	38
YL ATEX 10000	*239547	10000/3	10x30	V	4	44	71
YL ATEX 20000	*251846	20000/6	10x30	V	2	2x44	196

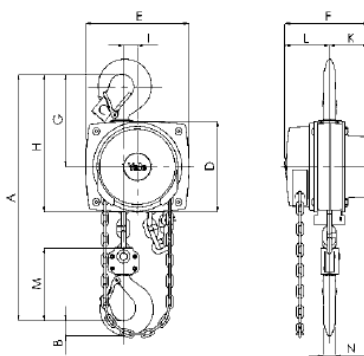
## Technical data model Yalelift 360 ATEX HIGH II 2 GD c IIC T4

Model	EAN-No. 4025092*	Capacity <sup>3</sup> in kg/ number of chain falls	Chain dimensions d x p mm	Load chain grade	Lift per 1 m hand chain overhaul mm	Handle pull at WLL daN	Weight at standard lift (3 m) kg
YL ATEX 500	*929806	500/1	5x15	S	33	21	9
YL ATEX 1000	*929790	900/1	6x18	S	20	30	13
YL ATEX 2000	*929783	1250/1	8x24	P	14	32	20
YL ATEX 3000	*929776	2000/1	10x30	P	12	38	29
YL ATEX 5000	*929769	4000/2	10x30	P	6	34	38
YL ATEX 10000	*929752	6000/3	10x30	P	4	44	71
YL ATEX 20000	*929745	12000/6	10x30	P	2	2x44	196

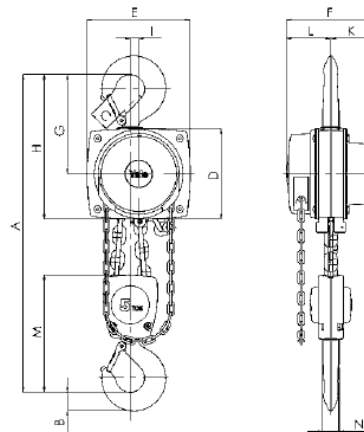
<sup>3</sup> Models in HIGH design are already labelled with reduced capacities when delivered.

## Dimensions model Yalelift 360 ATEX

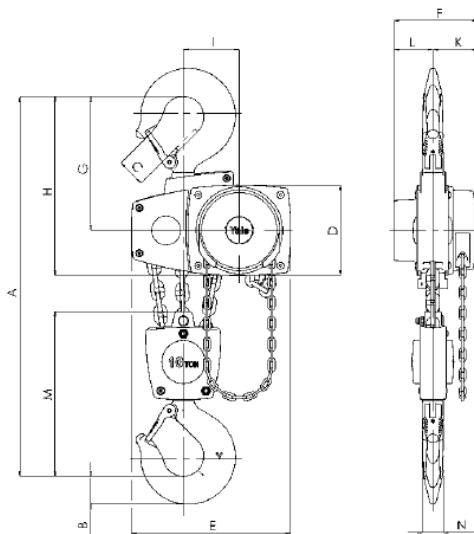
Model	YL 500	YL 1000	YL 2000	YL 3000	YL 5000	YL 10000	YL 20000
A min., mm	300	335	395	520	654	825	1010
B, mm	17	22	30	38	45	68	85
C, mm	24	29	35	40	47	68	64
D, mm	133	156	182	220	220	220	303
E, mm	148	175	203	250	250	383	555
F, mm	148	167	194	219	219	219	250
G, mm	139	164	192	225	242	326	391
H, mm	206	242	283	335	352	436	501
I, mm	24	24	31	34	21	136	-
K, mm	61	70	83	95	95	95	396
L, mm	87	97	111	124	124	124	125
M, mm	110	125	156	178	285	401	471
N, mm	14	19	22	30	37	50	56



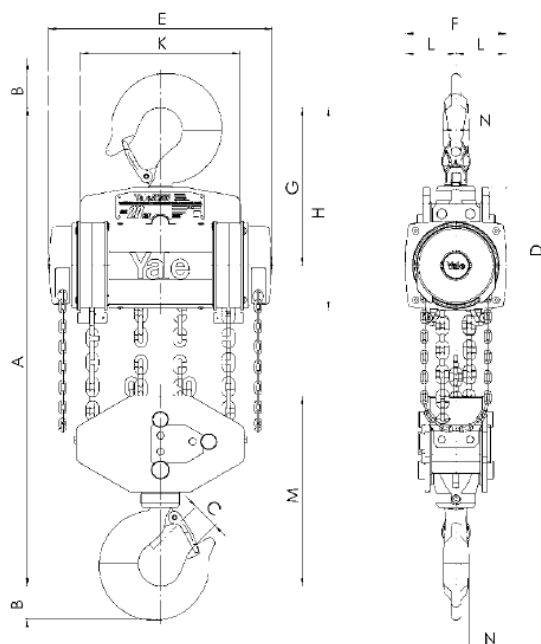
Model Yalelift 360 ATEX, 500 - 3000kg, single fall



Model Yalelift 360 ATEX, 5000kg, double fall



Model Yalelift 360 ATEX, 10000kg, three fall



Model Yalelift 360 ATEX, 20000kg, six fall