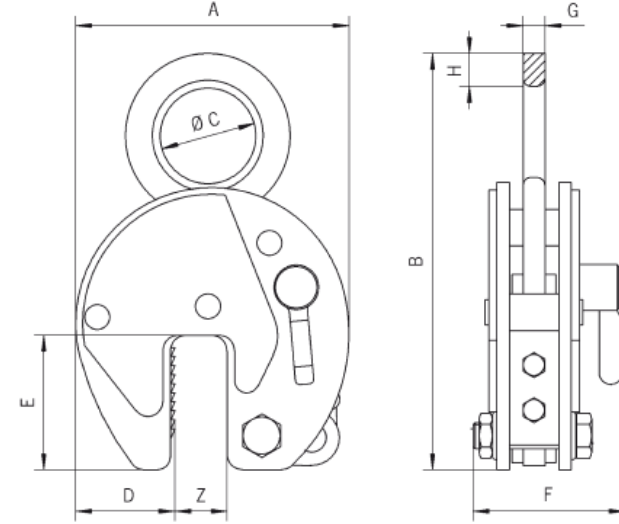


Teknik bilgiler model TBL

Model	EAN-No. 4025092*	Kapasite kg	Çene kapasitesi Z mm	Ağırlık kg
TBL 4,0 S	*556545	4.000	0 - 32	11,2
TBL 4,0 L	*556569	4.000	30 - 60	11,9
TBL 6,0 S	*557221	6.000	0 - 50	20,6
TBL 6,0 L	*556583	6.000	50 - 100	23,2
TBL 8,0 S	*557245	8.000	0 - 50	24,2
TBL 8,0 L	*557269	8.000	50 - 100	28,8
TBL 10,0 S	*557283	10.000	0 - 50	29,5
TBL 10,0 L	*557306	10.000	50 - 100	35,1
TBL 12,0 S	*557320	12.000	0 - 50	52,1
TBL 12,0 L	*557344	12.000	50 - 100	63,0
TBL 15,0 S	*552936	15.000	0 - 50	76,0
TBL 15,0 L	*552943	15.000	50 - 100	86,0
TBL 20,0 S	*552950	20.000	0 - 65	123,0
TBL 20,0 L	*551892	20.000	65 - 130	135,0
TBL 30,0 S	*552967	30.000	0 - 65	195,0
TBL 30,0 L	*552974	30.000	65 - 130	256,0

Min. yük nominal
WLL'nin % 10'dur!



Boyutlar model TBL

Model	TBL 4,0 S	TBL 4,0 L	TBL 6,0 S	TBL 6,0 L	TBL 8,0 S	TBL 8,0 L	TBL 10,0 S	TBL 10,0 L	TBL 12,0 S	TBL 12,0 L	TBL 15,0 S	TBL 15,0 L	TBL 20,0 S	TBL 20,0 L	TBL 30,0 S	TBL 30,0 L
A, mm	197	228	293	362	293	362	293	362	360	460	360	460	462	560	462	560
B, mm	339	339	442	482	450	482	503	503	550	615	550	615	674	724	667	732
Ø C, mm	80	80	89	89	89	89	110	110	130	130	130	130	130	130	60	60
D, mm	68	68	95	114	95	114	95	114	125	175	125	175	165	195	165	195
E, mm	93	100	143	143	143	143	143	143	162	162	162	162	210	210	210	210
F, mm	110	110	129	129	129	129	139	139	154	154	204	204	235	235	295	295
G, mm	20	20	20	20	20	20	25	25	30	30	45	45	45	45	65	65
H, mm	32	32	35	35	42	42	45	45	55	55	55	55	65	65	66	67