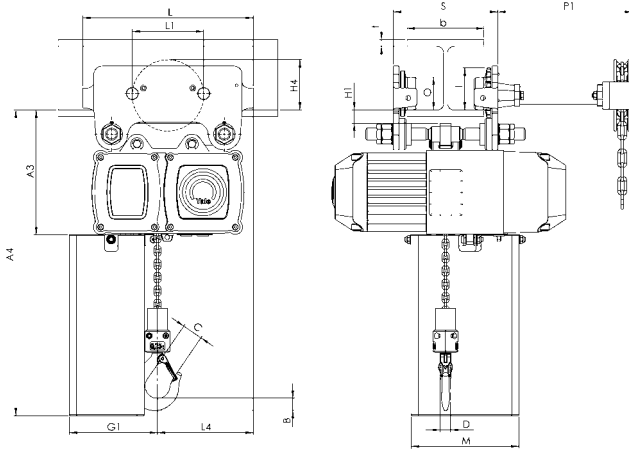
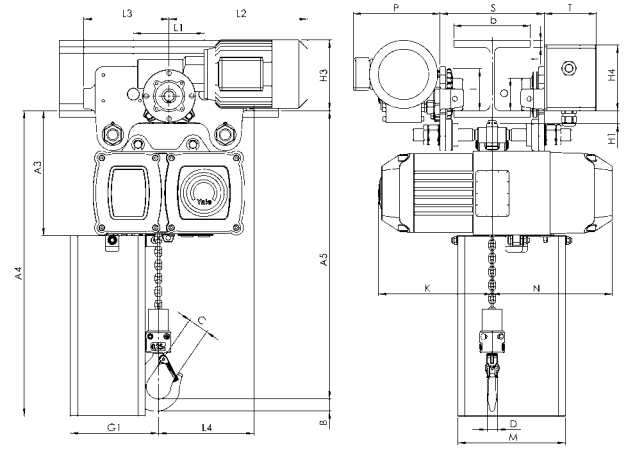


Boyutlar Model CPV/CPVF

Model	CPV/CPVF 2-8	CPV/CPVF 5-4	CPV/CPVF 5-8 CPV/CPVF 2-20	CPV/CPVF 10-4	CPV/CPVF 10-8 CPV/CPVF 5-20	CPV/CPVF 20-4
A3, mm	228	228	228	228	263	263
A4 (Gr.I), mm	508	508	508	508	593	593
A4 (Gr.II), mm	558	558	558	558	673	673
A4 (Gr.III), mm	638	638	638	638	768	768
A4 (Gr.IV), mm	830	830	830	830	968	968
A5, mm	389	425	389	462	460	558
b, mm	A = 50 - 180/ B = 180 - 300	A = 50 - 180/ B = 180 - 300	A = 50 - 180/ B = 180 - 300	A = 50 - 180/ B = 180 - 300	A = 50 - 180/ B = 180 - 300	A = 50 - 180/ B = 180 - 300
H1, mm	24	24	24	24	23	23
H3, mm	129	129	129	129	129	129
H4 (VTG), mm	95	95	95	95	95	95
H4 (VTE), mm	142	142	142	142	142	142
I (Zincirsiz şaryo), mm	72	72	72	72	96	96
I (Zincirli şaryo), mm	77	77	77	77	98	98
L (VTP/VTG), mm	310	310	310	310	360	360
L1, mm	130	130	130	130	150	150
L2 (CPV), mm	255	255	255	255	255	255
L2 (CPVF), mm	263	263	263	263	263	263
L3, mm	155	155	155	155	180	180
L4, mm	161	161	161	161	203	203
O, mm	60	60	60	60	80	80
P, mm	200	200	200	200	200	200
P1, mm	246	246	246	246	246	246
S, mm	b + 50	b + 50	b + 50	b + 50	b + 54	b + 54
T, mm	94	94	94	94	94	94
tmaks, mm	19	19	19	19	19	19



Model CPV/CPVF F
Entegre manuel zincirsiz ve/veya zincirli şaryolu



Model CPV/CPVF F
entegre elektrik şaryolu